

Technical specifications



Model
CDW125

AC
tech

1.25 t

Compact
pedestrian stacker
for double pallet
handling

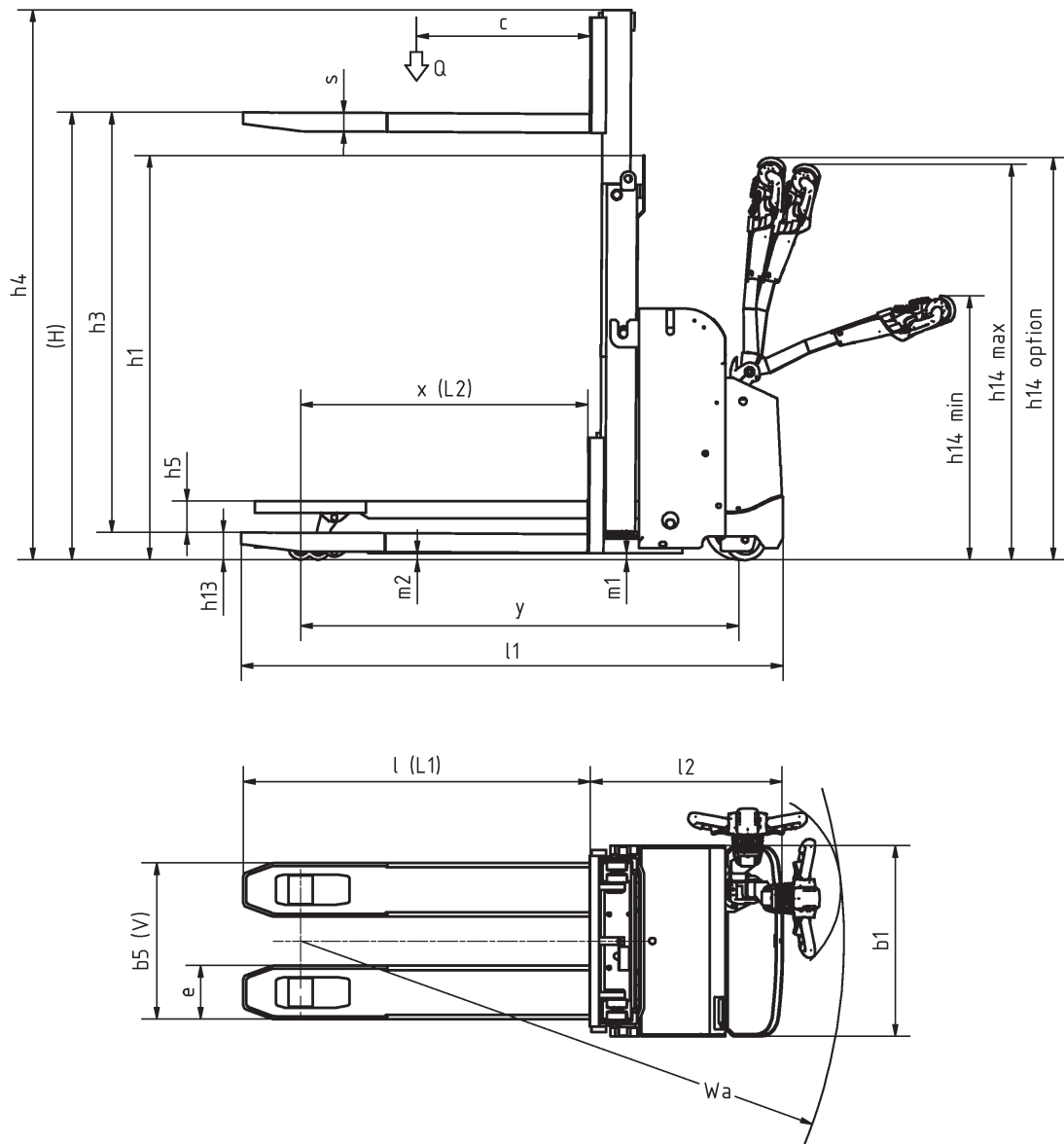


world wide network

24/7
support

STANDARD SPECIFICATIONS

		Manufacturers Data and Design Characteristics	Data sheet for materials handling equipment	
CHARACTERISTICS	1.1	Manufacturer (abbreviation)		MLE
	1.2	Manufacturer's model designation		CDW125
	1.3	Power source: Battery, Diesel, LPG, Petrol		Battery
	1.4	Operator type: pedestrian, (operator)-standing, -seated		Pedestrian
	1.5	Load capacity	Q (kg)	1250
	1.6	Load centre distance	c (mm)	600
	1.8	Load wheel axle to fork face (forks lowered)	x (mm)	990
	1.9	Wheel base	y (mm)	1510
	WEIGHTS	2.1	Service weight incl. battery	kg
2.2		Axle loadings with load & with maximum battery weight, drive/load side	kg	990/1410
2.3		Axle loadings without load & with maximum battery weight, drive/load side	kg	590/210
WHEELS, DRIVE TRAIN	3.1	Tyres: PT = Power Thane, Vul = Vulkollan, P = Polyurethane, N = Nylon, R = Rubber drive/load side		Vul/Vul
	3.2	Tyre dimensions, drive side		230 x 70
	3.3	Tyre dimensions, load side		85 x 99
	3.4	Castor wheel dimensions (diameter x width)		140 x 60
	3.5	Number of wheels, load/drive side (x = driven)		1x + 1/4
	3.6	Truck width (center of tyres), drive side	b10 (mm)	382
	3.7	Truck width (center of tyres), load side	b11 (mm)	355
DIMENSIONS	4.2a	Height with mast lowered	h ₁ (mm)	1400/1550
	4.4	Lift height	h ₃ (mm)	1700/2000
	4.5	Height with mast extended	h ₄ (mm)	2145/2445
	4.6	Initial lift	h ₅ (mm)	120
	4.9	Height of tiller arm / steering console (min./max.)	h ₁₄ (mm)	913/1368
	4.15	Fork height, fully lowered	h ₁₃ (mm)	90
	4.19	Overall length	l ₁ (mm)	1864
	4.20	Length to fork face (includes fork thickness)	l ₂ (mm)	664
	4.21	Overall width	b ₁ /b ₂ (mm)	660
	4.22	Fork dimensions (thickness, width, length)	s/e/l (mm)	65x185x1200
	4.25	Outside width over forks (minimum/maximum)	b ₅ (mm)	540
	4.32	Ground clearance at center of wheelbase (forks lowered)	m ² (mm)	25
	4.34a	Working aisle width (Ast) with 800 x 1200 mm pallets, load lengthwise	Ast (mm)	2532
	4.34b	Working aisle width (Ast3) with 800 x 1200 mm pallets, load lengthwise	Ast3 (mm)	2290
4.35	Turning radius	Wa (mm)	1880	
PERFORMANCE	5.1	Travel speed, with/without load	km/h	5.6/6
	5.2	Lifting speed, with /without load	m/s	0.10/0.20
	5.3	Lowering speed, with/without load	m/s	0.12/0.12
	5.7	Gradeability, with / without load	%	6/19
	5.9	Acceleration time (10 metres) with/without load	s	7.94/6.76
	5.10	Service brakes (mechanical/hydraulic/electric/pneumatic)		Electric
ELECTRIC MOTOR	6.1	Drive motor capacity (60 min. short duty)	kW	1.3
	6.2	Lift motor output at 15% duty factor	kW	2.35
	6.4	Battery voltage/capacity at 5-hour discharge	V/Ah	24/150-230
	6.5	Battery weight	kg	140-215
	MISC.	8.1	Type of drive control	
10.1		Maximum operating pressure for attachments	dB(A)	74.6 +/- 0,7



MAST SPECIFICATIONS

Mast type	CDW125		
	Lift height $h_3 + h_{13}$	Height of mast lowered h_1^*	Max mast height h_4
DUPLEX WITHOUT FREE LIFT	1790	1400	2145
	2090	1550	2445

* h_1 closed mast height includes polycarbonate finger protection.
Mast height excl. finger protection is 1343 mm/1493 mm.

It's all about
the price.
But what
price?

Reduce your Total Cost of Operation with UniCarriers

We agree. Price is everything. Or to be more specific: your Total Cost of Operation (TCO). That's why we're so focused on cutting costs and improving your material handling. The truck and its performance play an important role, but this is even more about how we can support you in optimising your warehouse operations to give you the best value for your money. Which – in the long run – is what creates a winner.