

Technical specifications



**Model
CSW125**

**AC
tech**

1.25 t

**Compact
pedestrian stacker**

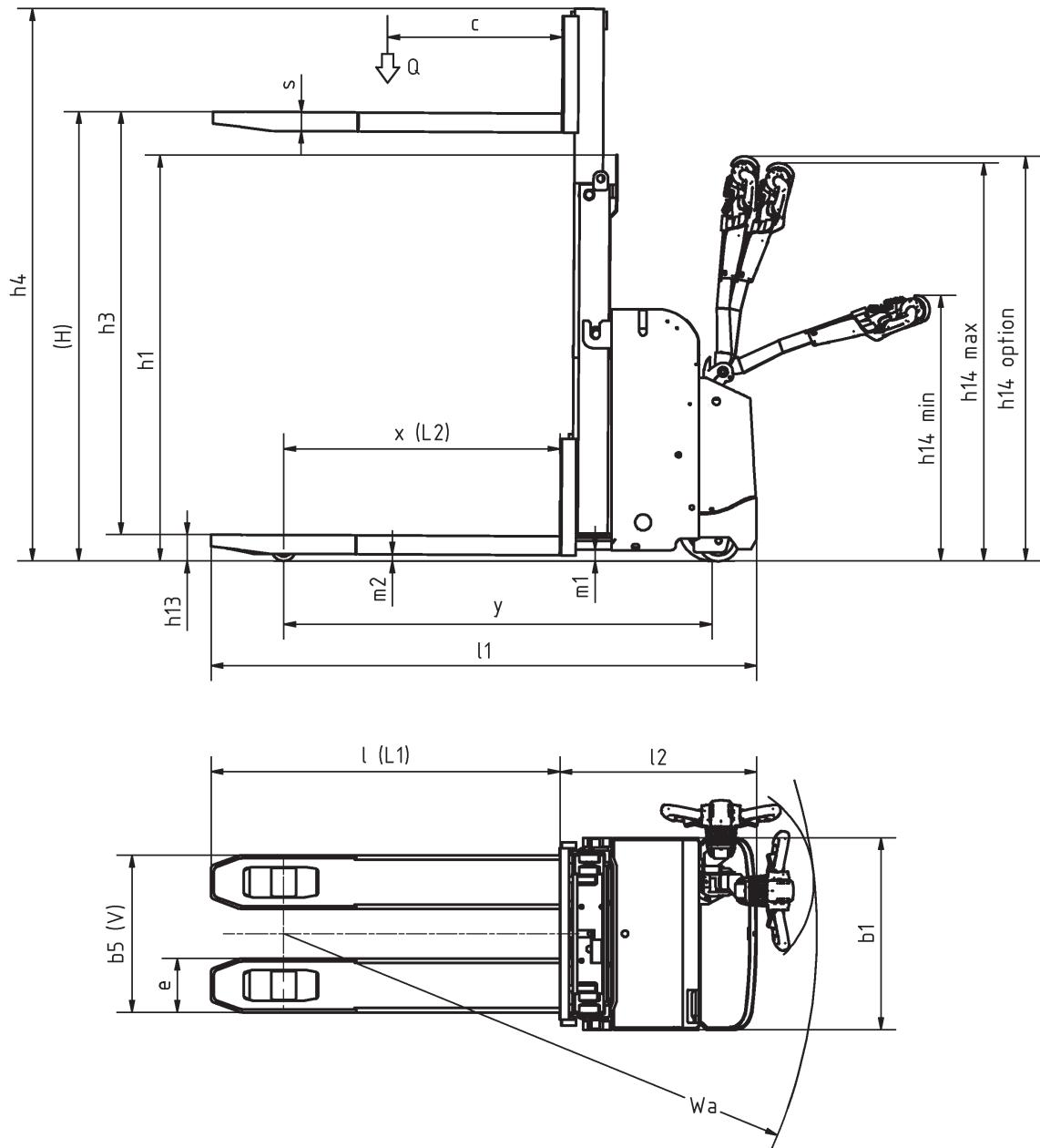


world wide network

**24/7
support**

STANDARD SPECIFICATIONS

| | | Manufacturers Data and Design Characteristics | Data sheet for materials handling equipment | |
|----------------------------|----------------|---|---|--------------|
| CHARACTERISTICS | 1.1 | Manufacturer (abbreviation) | | MLE |
| | 1.2 | Manufacturer's model designation | | CSW125 |
| | 1.3 | Power source: Battery, Diesel, LPG, Petrol | | Battery |
| | 1.4 | Operator type: pedestrian, (operator)-standing, -seated | | Pedestrian |
| | 1.5 | Load capacity | Q (kg) | 1250 |
| | 1.6 | Load centre distance | c (mm) | 600 |
| | 1.8 | Load wheel axle to fork face (forks lowered) | x (mm) | 950 |
| | 1.9 | Wheel base | y (mm) | 1473 |
| | WEIGHTS | 2.1 | Service weight incl. battery | kg |
| 2.2 | | Axle loadings with load & with maximum battery weight, drive/load side | kg | 875/1150 |
| 2.3 | | Axle loadings without load & with maximum battery weight, drive/load side | kg | 575/200 |
| WHEELS, DRIVE TRAIN | 3.1 | Tyres: PT = Power Thane, Vul = Vulkollan, P = Polyurethane, N = Nylon, R = Rubber drive/load side | | Vul/Vul |
| | 3.2 | Tyre dimensions, drive side | | 230 x 70 |
| | 3.3 | Tyre dimensions, load side | | 85 x 99 |
| | 3.4 | Castor wheel dimensions (diameter x width) | | 140 x 60 |
| | 3.5 | Number of wheels, load/drive side (x = driven) | | 1 + 1x/2 |
| | 3.6 | Truck width (center of tyres), drive side | b10 (mm) | 382 |
| | 3.7 | Truck width (center of tyres), load side | b11 (mm) | 355 |
| DIMENSIONS | 4.2b | Height | h ₁ (mm) | 1400/1550 |
| | 4.4 | Lift height | h ₃ (mm) | 1700/2000 |
| | 4.5 | Height with mast extended | h ₄ (mm) | 2145/2445 |
| | 4.9 | Height of tiller arm / steering console (min./max.) | h ₁₄ (mm) | 913/1368 |
| | 4.15 | Fork height, fully lowered | h ₁₃ (mm) | 90 |
| | 4.19 | Overall length | l ₁ (mm) | 1877 |
| | 4.20 | Length to fork face (includes fork thickness) | l ₂ (mm) | 677 |
| | 4.21 | Overall width | b ₁ /b ₂ (mm) | 660 |
| | 4.22 | Fork dimensions (thickness, width, length) | s/e/l (mm) | 65x185x1200 |
| | 4.25 | Outside width over forks (minimum/maximum) | b ₅ (mm) | 540 |
| | 4.32 | Ground clearance at center of wheelbase (forks lowered) | m ² (mm) | 25 |
| | 4.34a | Working aisle width (Ast) with 800 x 1200 mm pallets, load lengthwise | Ast (mm) | 2507 |
| | 4.34b | Working aisle width (Ast3) with 800 x 1200 mm pallets, load lengthwise | Ast3 (mm) | 2285 |
| | 4.35 | Turning radius | Wa (mm) | 1835 |
| PERFORMANCE | 5.1 | Travel speed, with/without load | km/h | 5.7/6 |
| | 5.2 | Lifting speed, with /without load | m/s | 0.10/0.20 |
| | 5.3 | Lowering speed, with/without load | m/s | 0.11/0.12 |
| | 5.7 | Gradeability, with / without load | % | 7/19 |
| | 5.9 | Acceleration time (10 metres) with/without load | s | 7.60/6.76 |
| | 5.10 | Service brakes (mechanical/hydraulic/electric/pneumatic) | | Electric |
| ELECTRIC MOTOR | 6.1 | Drive motor capacity (60 min. short duty) | kW | 1.3 |
| | 6.2 | Lift motor output at 15% duty factor | kW | 2.35 |
| | 6.4 | Battery voltage/capacity at 5-hour discharge | V/Ah | 24/150-230 |
| | 6.5 | Battery weight | kg | 140-215 |
| | MISC. | 8.1 | Type of drive control | |
| 10.1 | | Maximum operating pressure for attachments | dB(A) | 74.6 +/- 0,7 |



MAST SPECIFICATIONS

| Mast type | CSW125 | | |
|-----------------------------|-------------------------------|-----------------------------------|--------------------------|
| | Lift height $h_3 + h_{13}$ | Height of mast lowered h_1^* | Max mast height h_4 |
| DUPLEX WITHOUT FREE LIFT | 1790 | 1400 | 2145 |
| | 2090 | 1550 | 2445 |

* h_1 closed mast height includes polycarbonate finger protection.
Mast height excl. finger protection is 1343 mm/1493 mm.

It's all about
the price.
But what
price?

Reduce your Total Cost of Operation with UniCarriers

We agree. Price is everything. Or to be more specific: your Total Cost of Operation (TCO). That's why we're so focused on cutting costs and improving your material handling. The truck and its performance play an important role, but this is even more about how we can support you in optimising your warehouse operations to give you the best value for your money. Which – in the long run – is what creates a winner.